

VIRUCIDAL*
99.96%

*virucidal activity against human coronavirus HCoV-229E according to ISO 21702. On our PVC handrails, 99.96% of the virus eliminated after two hours



Available in LED option (p.116-117)



Linea Touch - PVC Sheathed | 39 colours

Colours on order

Colours available per product: please see the colour summary hinge



LINEA TOUCH - PVC SHEATHED TRILOBED HANDRAILS - 40 MM WIDTH

BACTERICIDAL JOINT



APPLICATIONS

Developed with the help of architects and designers, the Linea Touch handrail combines design, ergonomics and extreme impact resistance.

Its exclusive trilobed shape, validated by ergonomists, provides an excellent grip while protecting the walls effectively and discreetly.

Thanks to its large choice of accessories and colours for endless combinations, Linea Touch handrail is also available in a reinforced version in order to offer an unity of design throughout the building, whatever the level of protection required.

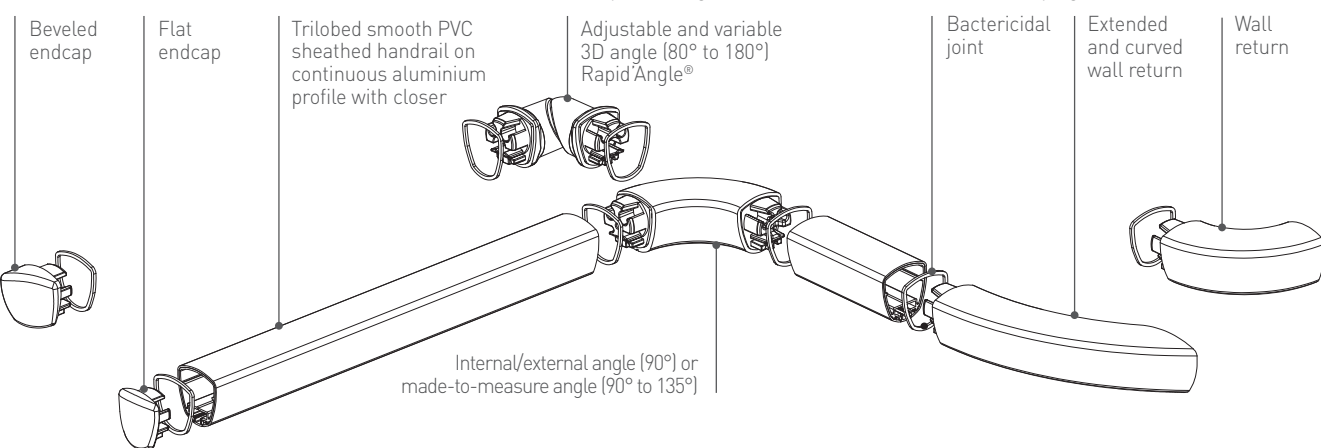
Linea Touch can be used in all public areas, delivering aesthetic harmony from light to heavy traffic areas: hospitals, clinics, retirement homes, hotels, public buildings, offices.

It can be bent and provides various technical solutions for continuity in staircases and in front of service ducts.

It is fitted with bactericidal joints (refer to page 102).

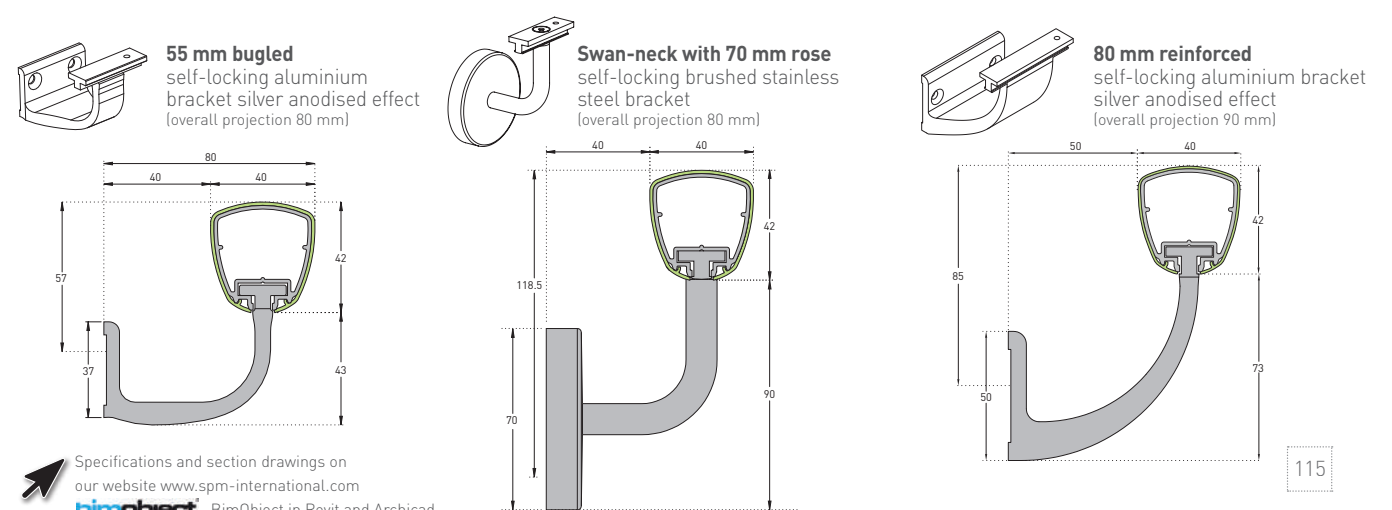
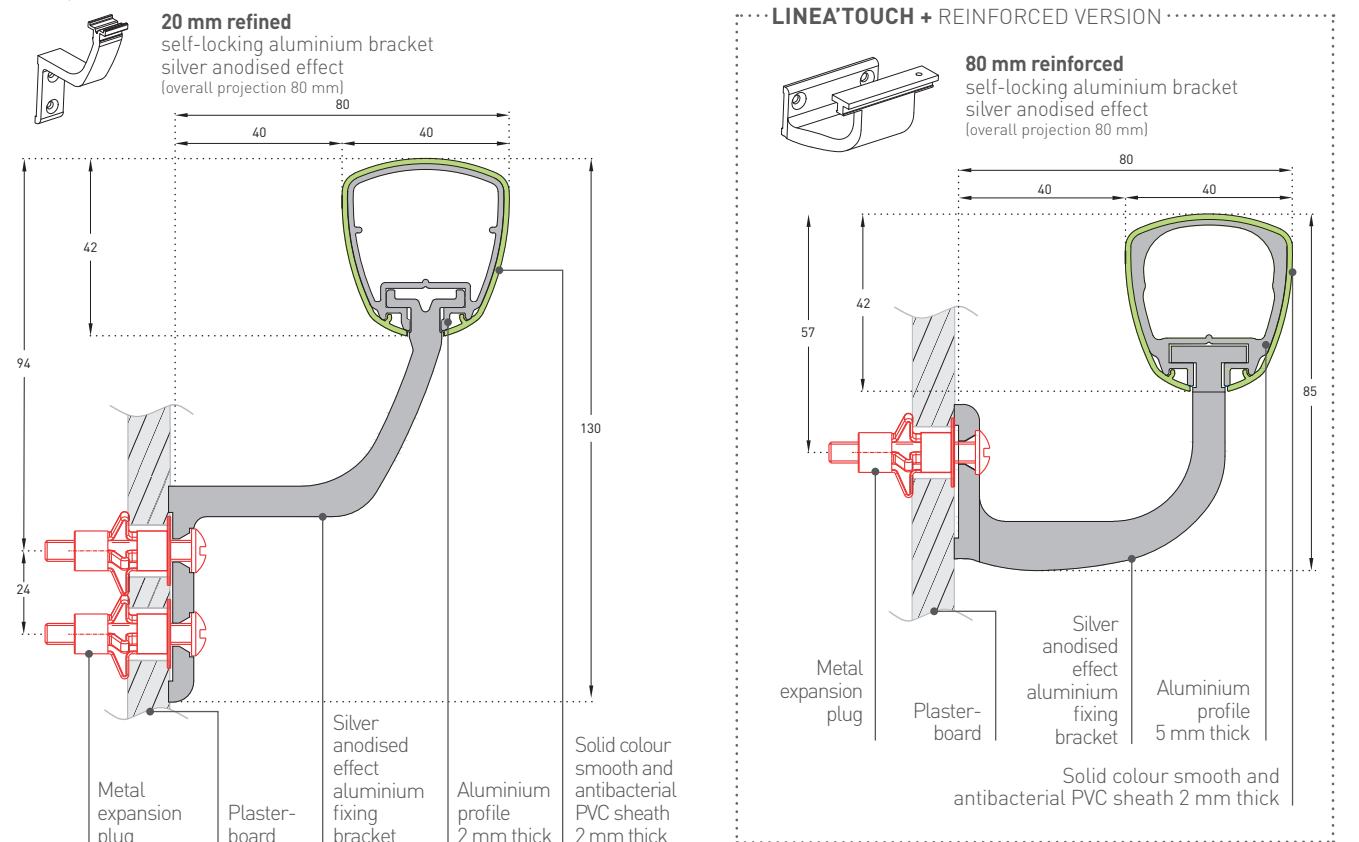
SPECIFICATION

- Description: trilobed handrail with PVC sheath (Linea Touch or Linea Touch+ - PVC sheathed as manufactured by SPM) with a cross section from 28 to 40 mm to give it an ergonomic and anti-rotation design. It is 42 mm high, 40 mm width and projects 80 mm from the wall (or 90 mm on request). It consists of a 2 mm thick continuous aluminium profile, or a 5 mm one for the reinforced version, covered by a 2 mm thick smooth and antibacterial, PVC sheath, achieving Bs2d0 reaction to fire classification with solid colour, and a closer underneath. A protective film is specified to minimise cleaning before acceptance. The section comprises a groove into which brackets and closer slide and lock. Wall fixing is by silver anodised effect aluminium brackets with 2-point self-locking: 20 mm wide refined bracket or 55 mm wide bugled bracket (for Linea Touch) or 80 mm wide reinforced bracket (for the reinforced Linea Touch+). Wall fixing is also available by swan-neck with 70 mm rose brackets, in brushed stainless steel, supplied with bactericidal joints, are available to finish the handrail assembly and are sleeved into the profile with clamping screws. All technical solutions are available to ensure continuity around corners (90° or made-to-measure), in staircases (3-way "universal joint" rotation angle -Rapid'Angle® as manufactured by SPM), across service ducts (quick removable assembly wedge) and around curved sections (pre-curved in the factory). These handrails achieve an impact resistance in excess of 70 Joules - i.e. an impact of more than 220 kg travelling at 2 km/h- (for Linea Touch) and of 110 Joules - i.e. an impact of more than 320 kg travelling at 2 km/h- (for the reinforced version Linea Touch+).
- Environment: no heavy metals and no substance potentially subjected to any REACH restriction are used in its manufacture, nor PBT/BPA. The calcium-zinc thermal stabilisation process is used. The emission level of volatile substance in inside air has been tested according to ISO 16000-6 and is very low (A+) according to the French regulation (23 March 2011 nr 2011-321 Decree and 19 April 2011 Order). 100% of the product are recyclable.
- Colour: selected by architects from manufacturer's standard range.
- Installation method: upper edge of section 0.90 m max. above floor level. Fixes to 2-point or 3-point self-locking brackets, depending on the model, screwed to the wall at 1.20 m centres (0.80 m centres in heavy traffic corridors and on light partitions like plasterboard). Wall returns, endcaps and angles to be fixed with 2.5 mm Allen clamping screws.



DESCRIPTION

- Model: Linea Touch or Linea Touch+ (reinforced version) - PVC sheathed - trilobed handrail
- Cross section: height 42 x width 40 mm
- Length: 4 m
- Overall Projection: 80 mm (90 mm on request)
- Stand-off from wall: 40 mm (50 mm on request)
- Material: antibacterial and Bs2d0 fire-rated PVC, solid colour, on continuous aluminium profile, bactericidal joint
- Fixing: on self-locking brackets - refined, bugled or reinforced, 2-point fixing in aluminium, silver anodised effect - swan-neck with 70 mm rose, 3 point fixing in brushed stainless steel
- Colours: 3 - 28 in stock - 11 on order





Colours available per product: please see the colour summary hinge



LINEA'TOUCH - DECOWOOD & ANODISED TRILOBED HANDRAILS - 40 MM WIDTH

BACTERICIDAL JOINT

APPLICATIONS

With a wood effect or satin silver anodised aluminium finish, the Linea'Touch handrails combine design, ergonomics and elegance. Their exclusive trilobed shape, validated by ergonomists, provides an excellent grip discreetly.

Thanks to their large choice of accessories, they fit into all insides of buildings open to the public with light traffic: corridors and staircases in retirement homes, schools, hotels, apartment blocks, public buildings, offices.

They can be bent and provide various technical solutions for continuity in staircases and in front of service ducts.

They are fitted with bactericidal joints (refer to page 102).

SPECIFICATION

- Description:** trilobed wood effect handrail (Linea'Touch - Decowood as manufactured by SPM) or satin silver anodised aluminium handrail (Linea'Touch - Anodised as manufactured by SPM) with a cross section from 28 to 40 mm to give it an ergonomic and anti-rotation design. It is 42 mm high, 40 mm width and projects 80 mm from the wall (or 90 mm on request). It consists of a 2 mm thick aluminium profile covered with a wood decor PVC film (Decowood) or 10 micron satin silver anodised (Anodised) and a closer underneath. The section comprises a groove into which brackets and closer slide and lock. Wall fixing is by silver anodised effect aluminium brackets with 2-point self-locking: 20 mm wide refined bracket or 55 mm wide bugled bracket. Wall fixing is also available by swan-neck with 70 mm rose brackets, in brushed stainless steel, 3 point self-locking. The axial position of the brackets provides an excellent guiding. Various smooth and antibacterial PVC accessories with solid colour (flat or beveled endcaps, classic or extended and curved wall returns, 90° internal/external angle or made-to-measure from 90° to 135°), supplied with bactericidal joints, are available in anodised look to finish the handrail assembly and are sleeved into the profile with clamping screws. All technical solutions are available to ensure continuity around corners (90° or made-to-measure), in staircases (3-way "universal joint" rotation angle - Rapid'Angle® as manufactured by SPM), across service ducts (quick removable assembly wedge) and around curved sections (pre-curved in the factory). These handrails achieve an impact resistance in excess of 70 Joules, i.e., an impact of more than 220 kg travelling at 2 km/h.
- Environment:** no heavy metals and no substance potentially subjected to any REACH restriction are used in its manufacture, nor PBT/ BPA. The calcium-zinc thermal stabilisation process is used. The emission level of volatile substance in inside air has been tested according to ISO 16000-6 and is very low (A+) according to the French regulation [23 March 2011 nr 2011-321 Decree and 19 April 2011 Order]. 100% of the product are recyclable.
- Colour:** selected by architects from manufacturer's standard range.
- Installation method:** upper edge of section 0.90 m max. above floor level. Fixes to 2-point or 3-point self-locking brackets, depending on the model, screwed to the wall at 1.20 m centres (0.80 m centres in heavy traffic corridors and on light partitions like plasterboard). Wall returns, endcaps and angles to be fixed with 2.5 mm Allen clamping screws.



DESCRIPTION

- Model:** Linea'Touch - Decowood or Anodised - trilobed handrail
- Cross section:** height 42 mm x width 40 mm
- Length:** 4 m
- Overall projection:** 80 mm (90 mm on request)
- Stand-off from wall:** 40 mm (50 mm on request)
- Material:** 10 micron satin silver anodised aluminium or wood effect PVC, bactericidal joint
- Fixing:** on self-locking brackets
 - refined, bugled or reinforced, 2-point fixing in aluminium, silver anodised effect
 - swan-neck with 70 mm rose, 3 point fixing in brushed stainless steel screwed to the wall every 1.20 m (0.80 m centres in heavy traffic areas and on light partitions like plasterboard)
- Colours:**
 - 6 wood decors for Linea'Touch - Decowood
 - satin silver anodised for Linea'Touch - Anodised

